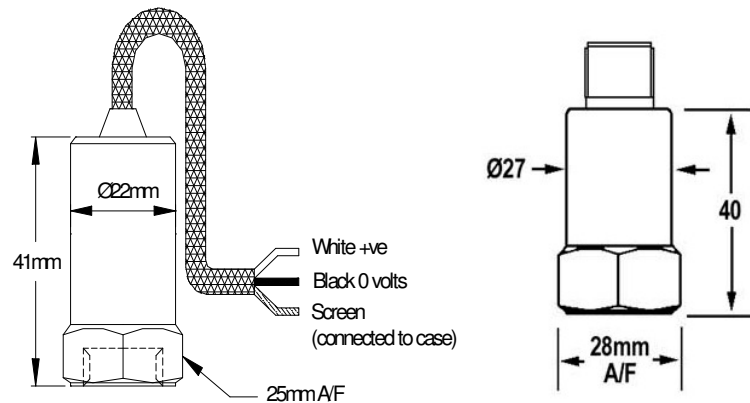




Vibro-Meter Series for PLC interface Output in Velocity units as 4...20 mA signal. Loop powered

APPLICATIONS

- ▶ Fans
- ▶ Blowers
- ▶ Compressors
- ▶ Pumps



TECHNICAL DATA

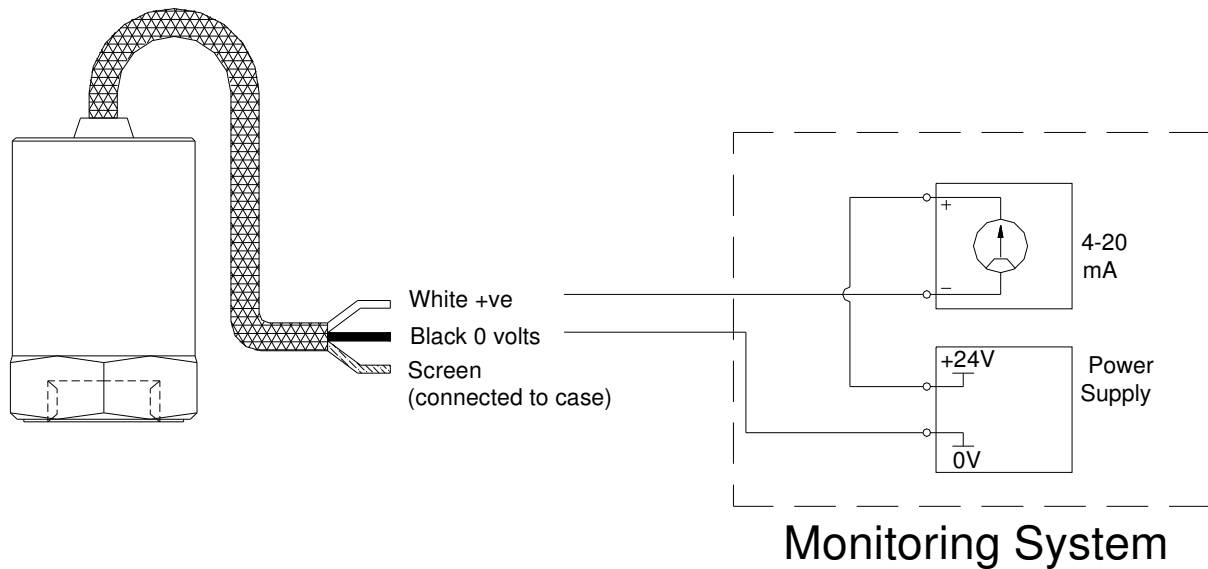
Output Current	4-20 mA DC proportional to RMS velocity (mm/s)
Velocity Range	See table below
Frequency Response	2 Hz to 1 kHz $\pm 10\%$
Dynamic Range	50 g peak
Mounted Resonance	5 kHz min
Isolation	Base isolated
Operating Temp Range	-25 to 90 °C
Temperature Sensitivity	0.08 %/°C
Transverse Sensitivity	Less than 5 %
Supply Voltage	12-32 Volts DC (4-20 mA) Loop powered
Standard Cable length	5 meters armoured PTFE
Maximum Cable length	1000 meter, for IS version see ATX009
Mating Connector	2 pin MS for CT connection
Case Material	Stainless steel
Weight	150 gms (nominal)

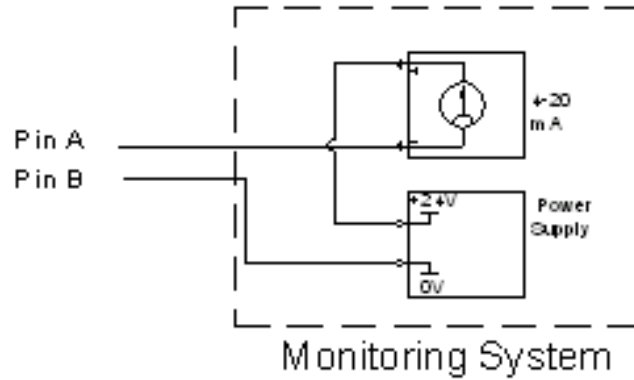
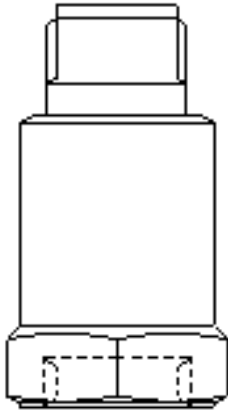
Sealing	IP67
Mounting Torque	8 Nm
Options	Ranges, side exit cable, filters, mounting threads, other cable length

ORDERING INFORMATION

		Range in mm/sec RMS	Connection	Output	Mounting
VMD	185	010	AT (Armoured cable top)	CA (Analogue mA)	F 1/4" - 28 UNF with adapter to M8
		020	CT (Connector top)		
		025	EX (Intrinsic safe version) ATEX		
		050			
		100			

SYSTEM CONNECTION





MOUNTING ADAPTERS AND STUDS

Studs



Included Adapters	
From	To
1/4" - 28 UNF	M8 x 1,25
1/4" - 28 UNF	1/4" - 28 UNF

Subject to change without notice.

Sales Offices

Meggitt has offices in over 30 countries.
The complete list can be found on our
webpage
www.meggitt.com



Your local representative

Meggitt GmbH

Kaiserleistraße 51
63067 Offenbach am Main
Deutschland / Germany

Tel. +49 (0) 69 9799050
Fax +49 (0) 69 97990526
E-Mail: info@meggitt.de
www.meggitt.de

MEGGITT
smart engineering for
extreme environments