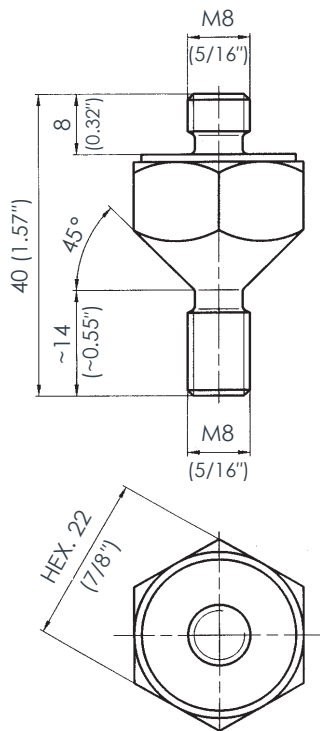


ACCESSORIES

Item	Type	Part number (PNR)
• Cable assemblies	EC439 2-wire cable assembly for current transmission: – without a flexible hose (protection tube) – with a flexible hose (protection tube). Refer to sales drawings 922-439-000D001 and 922-439-000D102 for further information.	922-439-000-001 922-439-000-102
	EC440 3-wire cable assembly for voltage transmission – without a flexible hose (protection tube) – with a flexible hose (protection tube). Refer to sales drawings 922-440-000D001 and 922-440-000D102 for further information.	922-440-000-001 922-440-000-102
Note: Cable and protection tube lengths must be specified when ordering a cable assembly.		
• Mounting adaptor	TA114 Mounting adaptor. See below and refer to product drawing 800-114-000-V011 for further information.	800-114-000-011

TA114 mounting adaptor



Note: All dimensions are in mm (in) unless otherwise stated.

Ordering number (PNR): 800-114-000-011